



STANDARD HEADREST



WINGED HEADREST



ALPHA

The ALPHA's stylish design includes greater ergonomic functionality, which provides enhanced lumbar and head/neck support.

The shoulder belt begins on the top of the backrest to avoid back and shoulder discomfort (children under 49" height need a booster seat for proper seating).

Amaya's ALPHA offers the same well known extra legroom, showcasing its thinner seatback design.

Cushions, backrests and headrests made from fire retardant and high resilient polyurethane foam for enhanced safety and durability.

Alpha's adjustable headrest is designed for not only styling but additional form, fit, and function too.

The back of the seat integrates the ultimate development of foams to serve as an impact absorber for the passengers in the event of frontal crash.

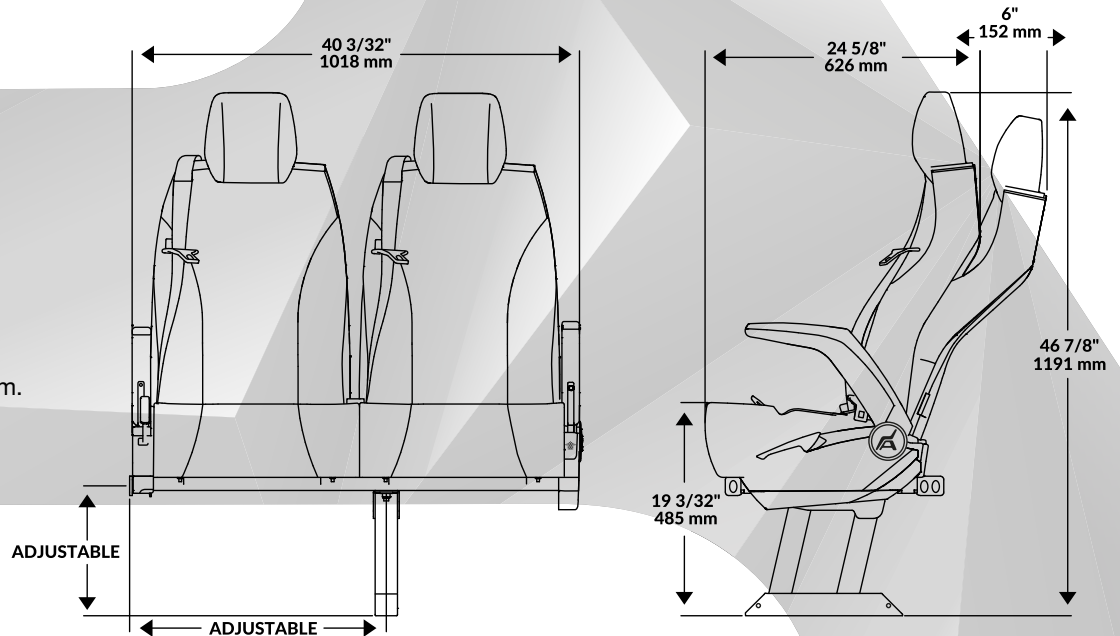
The back of the seat integrates the ultimate development of foams to serve as an impact absorber for the passengers in the event of frontal crash.

A "5-Year Warranty" on the mechanical seat recline mechanism.



OPTIONS

- ADA compliant.
- Fold up center armrest.
- Automatic retractable footrest.
- Plastic manual footrest.
- Rubber cup holder.
- Rigid cup holder.
- Mesh magazine pocket.
- Snack tray.
- Self-positioning reclining mechanism.
- Grab-handle.
- 110 V / USB outlets.



SALES REPRESENTATIVES FOR THE U.S. AND CANADA

Bob Greene ☎ (402) 639 4454 ✉ bgreene45@cox.net
 Jeff Goldwasser ☎ (551) 482 1608 ✉ interiors@jeffgoldwasser.com

AMAYA-ASTRON SEATING MEXICO

Pirules 16E, Complejo Industrial Cuamatla, Cuautitlán Izcalli, Estado de México, C.P. 54730. Tel. +52 55 5881 2007