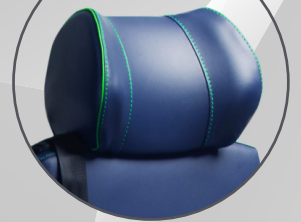




STANDARD HEADREST



WINGED HEADREST



# A-220

Integrated ELR/ALR switchable three-point seat belt system. The shoulder belt begins on the top of the backrest to avoid back and shoulder discomfort (children under 49" height need a booster seat for proper seating).

Includes our well-known ergonomic design provided in all the Amaya-Astron seat models.

A fold down aisle armrest and fixed at wall side is provided.

Designed and built for more legroom and comfort with thinner seat back.

A-220 model fulfills the Federal Motor Vehicle Safety Standards (FMVSS) for 3-point seat belt.

Cushions, backrests and headrests are made from fire retardant and highly resilient polyurethane foam.

Adjustable headrest.

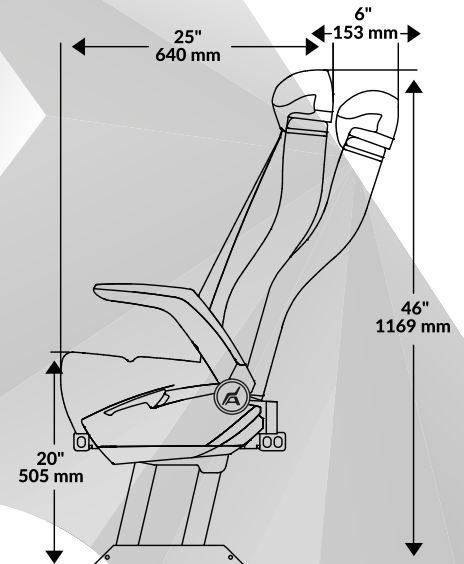
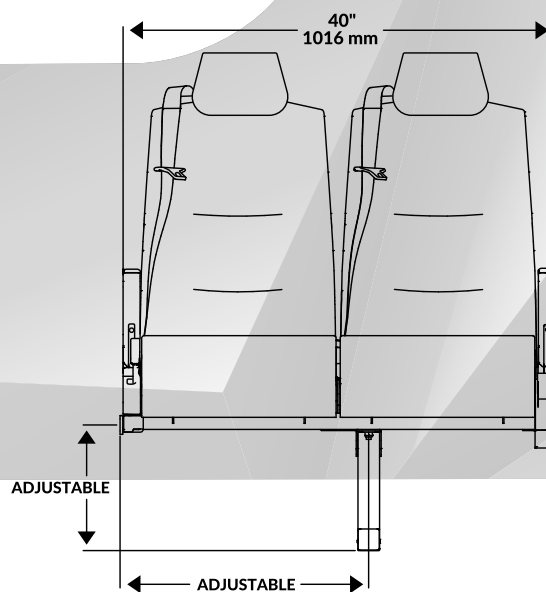
The back of the seat integrates the ultimate development of foams to serve as an impact absorber for the passengers in the event of frontal crash.

Mechanical recliner mechanism with a 5-year warranty.



## OPTIONS

- ADA compliant.
- Winged headrest.
- Fold up center armrest.
- Automatic retractable footrest.
- Plastic manual footrest.
- Rubber cup holder.
- Rigid cup holder.
- Mesh magazine pocket.
- Snack tray.
- Grab handle, mounted on backrest.
- 110 V / USB outlets.



**SALES REPRESENTATIVES FOR THE U.S. AND CANADA**  
 Bob Greene ☎ (402) 639 4454 ✉ bgreene45@cox.net  
 Jeff Goldwasser ☎ (551) 482 1608 ✉ interiors@jeffgoldwasser.com

**AMAYA-ASTRON SEATING MEXICO**  
 Pirules 16E, Complejo Industrial Cuamatla, Cuautitlán Izcalli,  
 Estado de México, C.P. 54730. Tel. +52 55 5881 2007