



# SIGMA

As a high-back seat design, the SIGMA model incorporates an internal three-point seat belt system that adjusts automatically to adults and children with a height of at least 49" (smaller children require a booster seat for proper seating).

SIGMA seat model provides extra legroom with a thinner seat-back design, while maintaining the ergonomic support for greater comfortability.

Mechanical recline mechanism with a 5-year warranty.

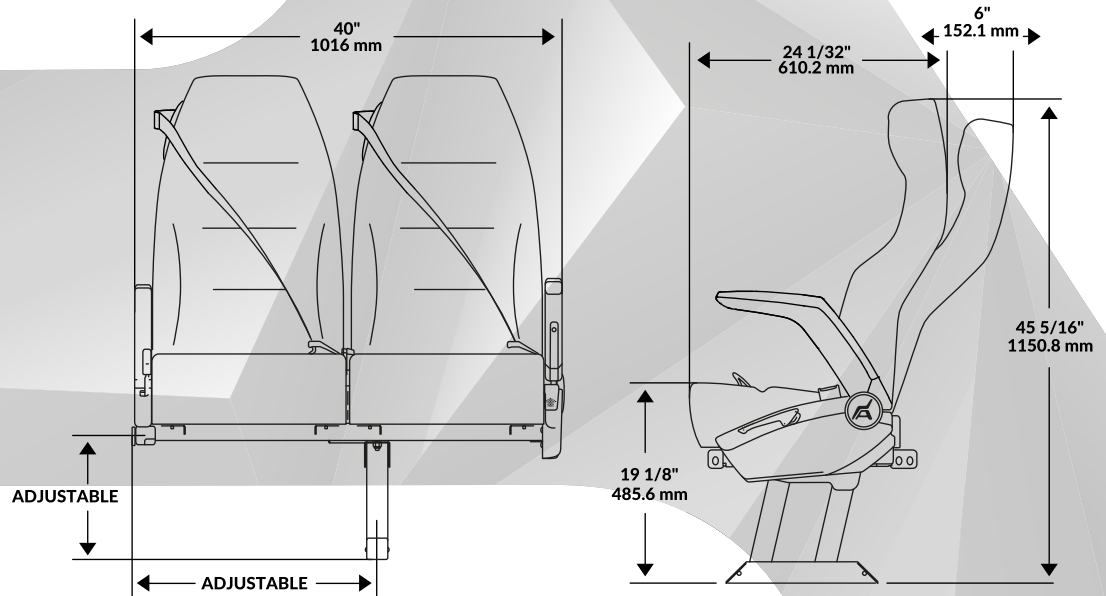
Cushions and backrests made from fire retardant and high resilient polyurethane foam for enhanced safety and durability.

High-back seat which optimizes head support while providing greater visibility between seats which makes the SIGMA an excellent option for both, the private and public transportation sectors.



## OPTIONS

- ADA compliant.
- Fold up center armrest.
- Automatic retractable footrest.
- Plastic manual footrest.
- Rubber cup holder.
- Rigid cup holder.
- Mesh magazine pocket.
- Snack tray.
- Self-positioning reclining mechanism.
- Grab-handle.
- 110 V / USB outlets.



## SALES REPRESENTATIVES FOR THE U.S. AND CANADA

Bob Greene ☎ (402) 639 4454 ✉ bgreene45@cox.net  
Jeff Goldwasser ☎ (551) 482 1608 ✉ interiors@jeffgoldwasser.com

## AMAYA-ASTRON SEATING MEXICO

Pirules 16E, Complejo Industrial Cuamatla, Cuautitlán Izcalli, Estado de México, C.P. 54730. Tel. +52 55 5881 2007