



STANDARD HEADREST



WINGED HEADREST



PREMIUM 2+1

# PREMIUM 2+1

Cushions, backrests and headrests are made from fire retardant and highly resilient polyurethane foam.

Have an “Energy Absorbing Back Plate” that provide full compartmentalization in case of frontal crashes, protecting belted and unbelted passengers.

The Premium 2+1 double seat has four armrests: one-fold-down on aisle side, two-fold-up at the center, and one fixed at wall side.

The single seat has one-fold-down armrest on aisle side and one fixed ant wall side.

Wider seat back and seat cushion to provide extra comfort.

High back seat design with adjustable and comfortable headrest with memory foam.

Incorporate an internal three-point seat belt with ELR/ALR switchable system.

New central console design in the double seat.

The Leg-rest is integrated to the seat cushion for complete comfort.

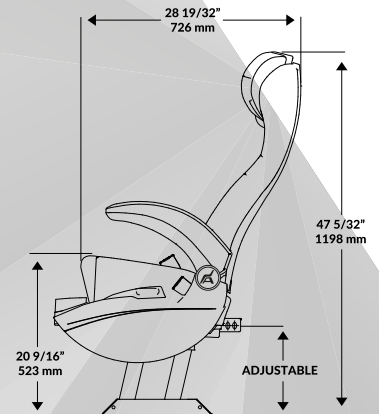
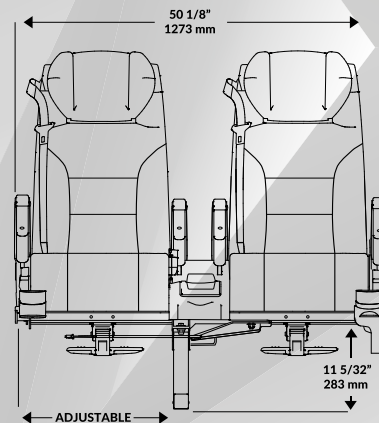
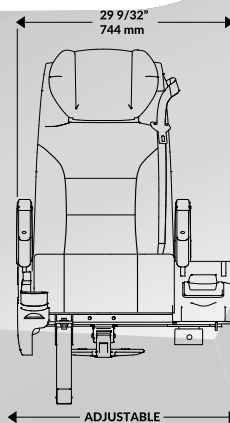
Personal cup holder integrated in the armrest trim.

Mechanical recliner mechanism with a 5-year warranty.



## OPTIONS

- Automatic retractable footrest.
- Mesh magazine pocket.
- Antibacterial treatment for fabrics.
- Snack tray.
- Grab handle on the backrest.
- 110V / USB outlets.
- Wall side console for single seat.
- Telescopic flat headrest with memory foam.



**SALES REPRESENTATIVES FOR THE U.S. AND CANADA**  
 Bob Greene ☎ (402) 639 4454 ✉ bgreene45@cox.net  
 Jeff Goldwasser ☎ (551) 482 1608 ✉ interiors@jeffgoldwasser.com

**AMAYA-ASTRON SEATING MEXICO**  
 Pirules 16E, Complejo Industrial Cuamatla, Cuautitlán Izcalli,  
 Estado de México, C.P. 54730. Tel. +52 55 5881 2007