



As a high-back seat design, this model incorporates an internal three-point seat belt system that adjusts automatically to adults and children with a height of at least 49" (smaller children require a booster seat for proper seating).

Luxury upholstery to provide extra foam at the bolsters of backrest and seat cushion with a comfortable pillow at the top.

Fold down aisle armrest and fixed at wall side.

Mechanical recliner mechanism with a 5-year warranty.

Cushions, backrests and headrests are made from fire retardant and highly resilient polyurethane foam.

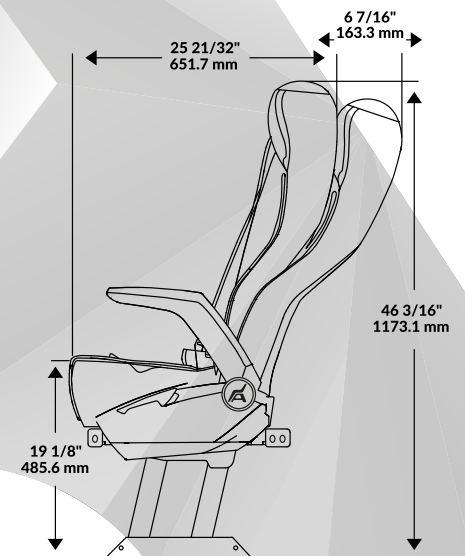
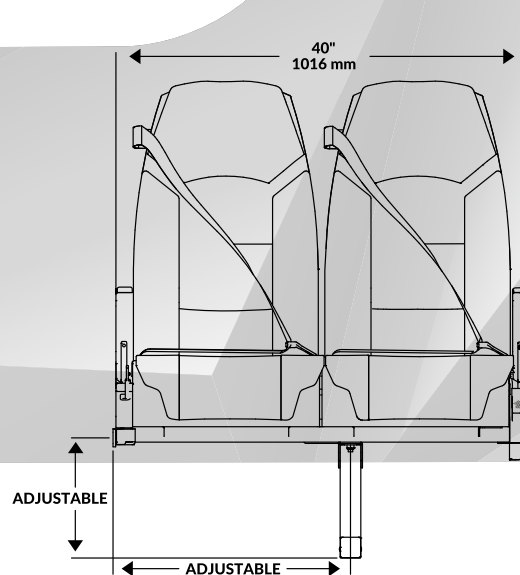
The back of the seat integrate the ultimate development of foams to serve as an impact absorber for the passengers in the event of frontal crash.

Includes our well-known ergonomic design provided in all the Amaya-Astron seats models.



OPTIONS

- Automatic retractable footrest.
- Plastic manual footrest.
- Rubber cup holder.
- Rigid cup holder.
- Mesh magazine pocket.
- Snack tray.
- Grab handle, mounted on backrest.
- 110 V / USB outlets.
- Leg rest.



SALES REPRESENTATIVES FOR THE U.S. AND CANADA
 Bob Greene ☎ (402) 639 4454 ✉ bgreene45@cox.net
 Jeff Goldwasser ☎ (551) 482 1608 ✉ interiors@jeffgoldwasser.com

AMAYA-ASTRON SEATING MEXICO
 Pirules 16E, Complejo Industrial Cuamatla, Cuautitlán Izcalli,
 Estado de México, C.P. 54730. Tel. +52 55 5881 2007